



DIALYSIS
MODEL



WSR MODEL
Welcome/Surgery/Recovery

DaySurg[®]

ADAPTABLE
TO YOUR NEEDS



DaySurg®

The DaySurg power ambulatory chair has been created to respond to the needs of all the scenarios witnessed by us during our studies within out-patient surgery departments. Practical and affordable, Daysurg is the most versatile chair ever designed and is able to cope with every possible stage of the out-patient surgery process. Receiving patients, preparation and anaesthesia, procedures, recovery and even dialysis... it is the perfect solution in every situation.

Thanks to its wide range of options and accessories,
you can tailor your DaySurg to your needs



PATIENT AUTONOMY

- Easy to seat the patient **from the front**
- An **intuitive remote control** for the patient
- **Smart Move** backrest : The backrest supports the patient both when lowered and raised
- No repositioning
- **The armrest is combined with the backrest** and adapts to the patient's movements (Dialysis version)
- Numerous accessories designed to increase comfort and safety



ERGONOMIC

- A stable chair with **removable side rails** beneath the level of the bed (no-gap function) to facilitate patient transfers
- **Ergonomic push handles** at the head and foot guarantee outstanding manoeuvrability
- Casters with electric braking (depending on the model)
- A **steering caster**, which can be activated to improve manoeuvrability
- A chair that can be easily customised thanks to a broad range of accessories



EASE OF USE

- A **10cm one-piece comfortable mattress**, which is removable for easy maintenance
- An **ergonomic remote control** with stored positions
- A chair with a simple design, which is easier to clean
- **Zero risk** : Safety zones and anti-trapping design
- Trendelenburg function / 15° tilt
- **Electric brake control at the rear**, on the backrest but not accessible to the patient (depending on the model)

2 CHAIRS, 4 MODELS

Model		Armrest dialysis	Electric braking	Mechanical braking
Dialysis	38000-10	●	●	
	38000-01	●		●
WsR (Welcome / Surgery / Recovery)	37000-10		●	
	37000-01			●



DIALYSIS MODEL



WsR MODEL



DaySurg®

DaySurg®

- OPTIONS
- ACCESSORIES



REF. 38810-01
USB SOCKET
ON DIALYSIS



REF. 37710-01
BARRIERS ON WSR*



REF. 12878
PAIR OF SEAT RAILS



REF. 37770-01
PAIR OF BACKREST
RAILS*



REF. 38850-01
CLAMP (UNIT)



REF. 878-12
SLIDING CLAMP
FOR RAIL



REF. 37760-01
IV POLE



REF. 25350 (+ CLAMP)
READING TRAY



REF. 12845 (+ CLAMP)
PAIR OF LEGRESTS
GOEPELS



REF. 12850
PAIR OF COATED
STIRRUPS



REF. 37731-02 (+ CLAMP)
FLEXIBLE REMOTE
CONTROL HOLDER



REF. 2985-01 (+ CLAMP)
IV POLE AUTO LOCKING
2 HOOKS IV POLE



REF. 11679-01/056
ADJUSTABLE HEADREST
(BLACK)



REF. 2536
ARMREST (UNIT)



REF. 37740-01
PAPER ROLL HOLDER

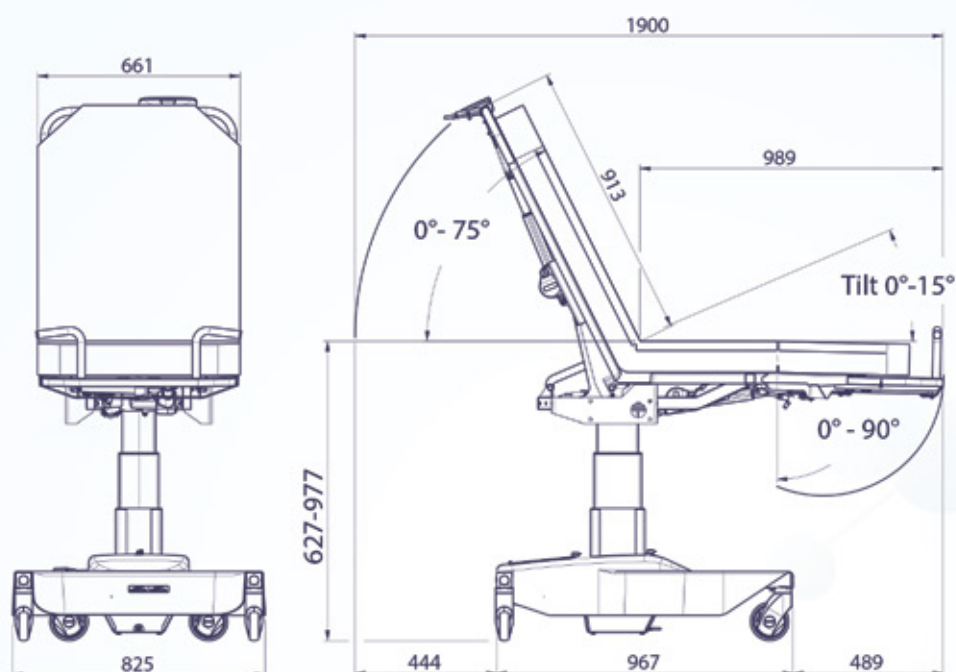


REF. 37750-01
BOTTLE HOLDER

**SURGERY
ACCESSORIES
AVAILABLE ON REQUEST,
PLEASE CONTACT US
FOR A QUOTE**

* Incompatible between
ref. 37710-01 and 37770-01

DaySurg®



DAYSURG
37000 & 38000

GROSS WEIGHT :
148 kg

NET WEIGHT :
120 kg

VOLUME :
1,35 m³

WELCOMES PATIENTS UP TO :
200 kg



PROMOTAL.COM

22 rue de Saint-Denis-de-Gastines - 53500 Ernée, FRANCE
Phone : + 33 (0)2 43 05 17 76
Fax : + 33 (0)2 43 05 72 00

